

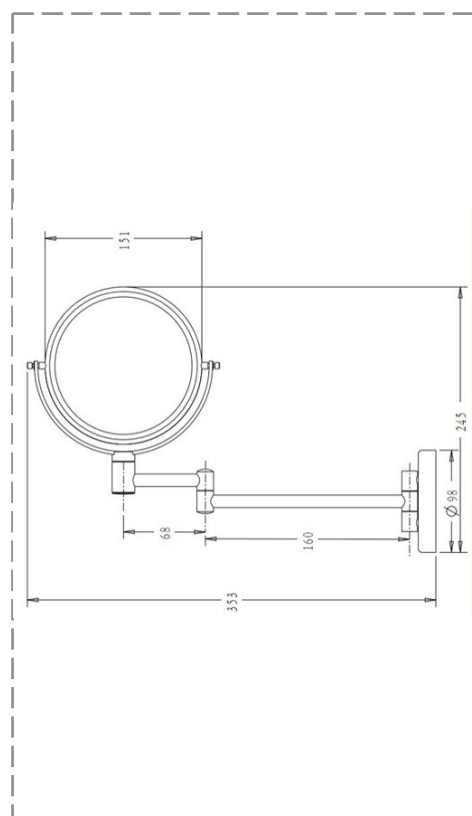
E05-AC40237



TECHNICAL DATA

ITEM DESCRIPTION	3X MAGNIFYING MIRROR – 2 ARMS
ITEM CODE	E05-AC40237
DIMENSIONS	ARM MAX 353 MM – MIRROR 151 MM
FINISHES	P00 – CHROME
	P01 – MATT BLACK
	P06 – LIGHT GUNMETAL
	P18 – POLISHED CHAMPAGNE
	P19 – BRUSHED CHAMPAGNE
SPECIFICATION	<ul style="list-style-type: none"> • 3X MAGNIFYING MIRROR • WITHOUT LED LIGHT

TECHNICAL DRAWINGS



TECHNOLOGY - CERTIFICATION

PRODUCT TYPE	:	WALL MOUNTED
MATERIAL	:	BRASS
STANDARD	:	CE STANDARD