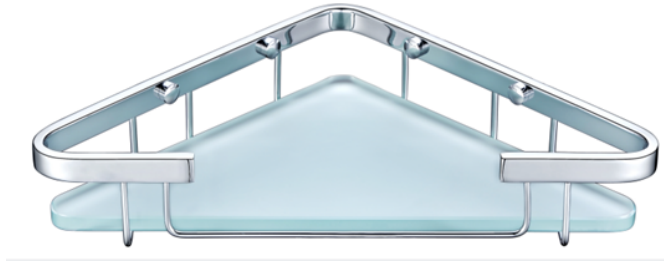




E05-AC40161



TECHNICAL DATA

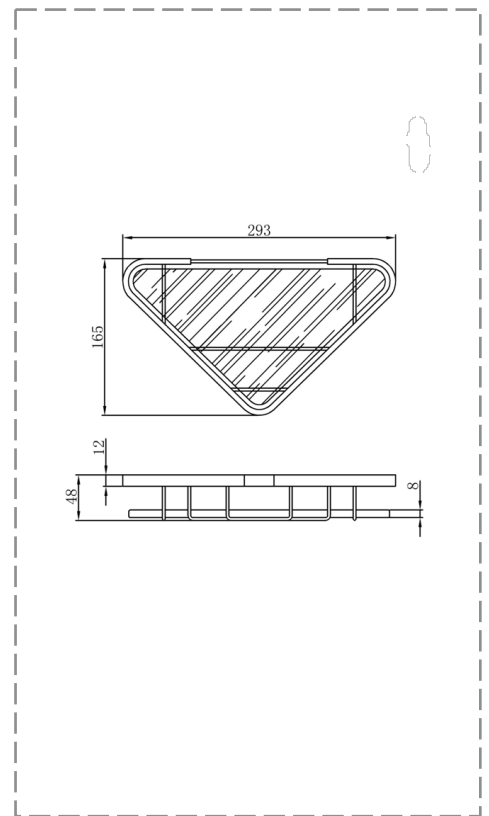
ITEM DESCRIPTION CORNER BASKET

ITEM CODE E05-AC40161

DIMENSIONS W X H (MM)
 293 X 165

FINISHES P00 - CHROME

TECHNICAL DRAWINGS



TECHNOLOGY - CERTIFICATION

PRODUCT TYPE : WALL MOUNTED

MATERIAL : BRASS & GLASS

STANDARD : CE STANDARD