



E05-AC40159



TECHNICAL DATA

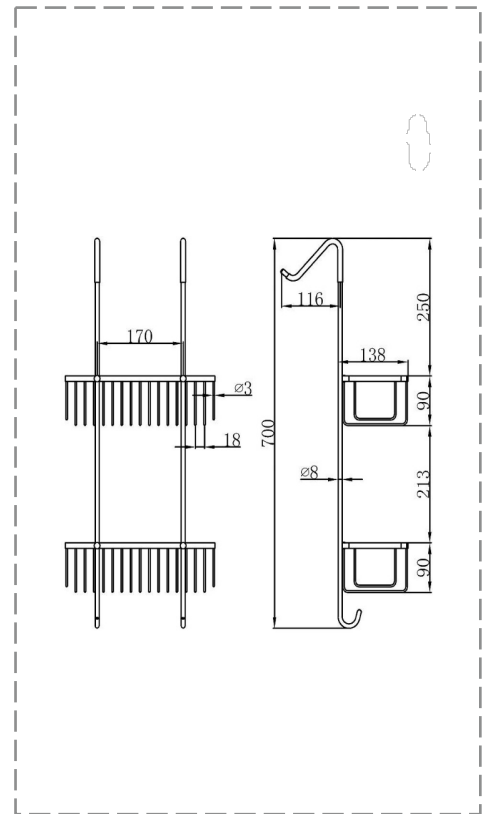
ITEM DESCRIPTION DOUBLE BASKET WITH HOOK

ITEM CODE E05-AC40159

DIMENSIONS W X H (MM)
250 X 700

FINISHES P00 - CHROME

TECHNICAL DRAWINGS



TECHNOLOGY - CERTIFICATION

PRODUCT TYPE : WALL MOUNTED

MATERIAL : BRASS

STANDARD : CE STANDARD