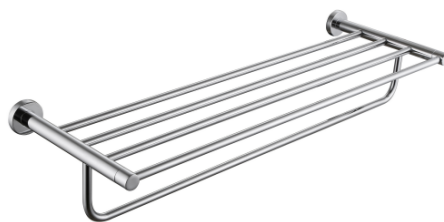


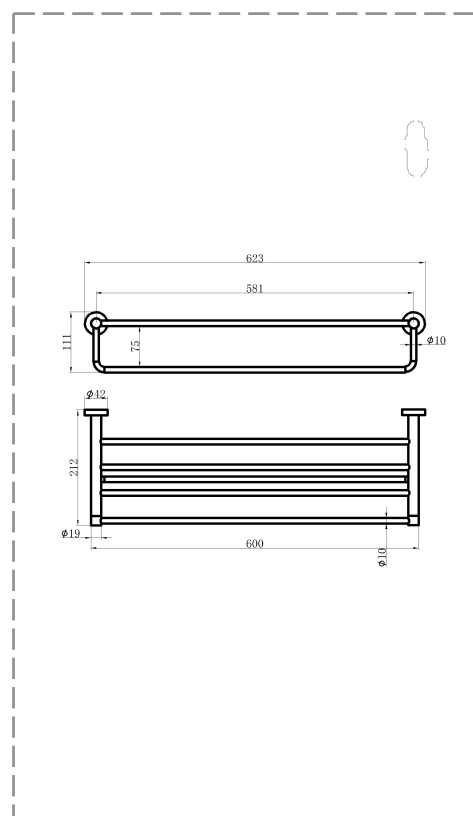
E05-AC40090



TECHNICAL DATA

ITEM DESCRIPTION	DOULBE BATH TOWEL SHELF 600 MM
ITEM CODE	E05-AC40090
DIMENSIONS	W X H X D (MM) 623 X 111 X 212
FINISHES	P00 - CHROME
	P01 - MATT BLACK
	P06 - LIGHT GUNMETAL
	P18 - POLISHED CHAMPAGNE
	P19 - BRUSHED CHAMPAGNE

TECHNICAL DRAWINGS



TECHNOLOGY - CERTIFICATION

PRODUCT TYPE	:	WALL MOUNTED
MATERIAL	:	BRASS
STANDARD	:	CE STANDARD