

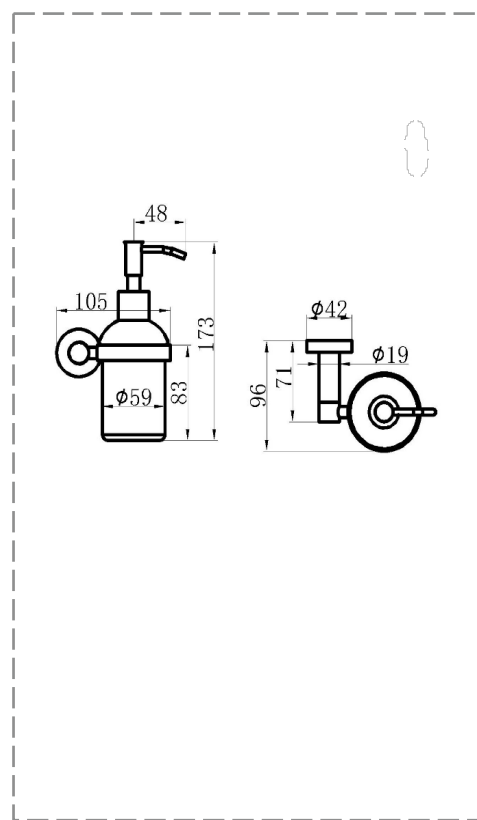
E05-AC40087



## TECHNICAL DATA

ITEM DESCRIPTION	LIQUID SOAP CONTAINER
ITEM CODE	E05-AC40087
DIMENSIONS	W X H X D (MM) 105 X 173 X 96
FINISHES	P00 - CHROME P01 - MATT BLACK P06 - LIGHT GUNMETAL P18 - POLISHED CHAMPAGNE P19 - BRUSHED CHAMPAGNE

## TECHNICAL DRAWINGS



## TECHNOLOGY - CERTIFICATION

PRODUCT TYPE	:	WALL MOUNTED
MATERIAL	:	BRASS
STANDARD	:	CE STANDARD