



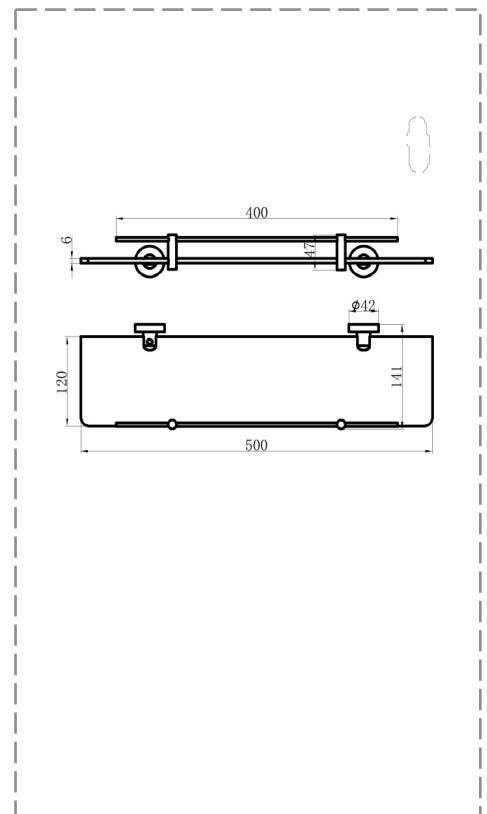
E05-AC40085



TECHNICAL DATA

ITEM DESCRIPTION	GLASS SHELF 500 MM
ITEM CODE	E05-AC40085
DIMENSIONS	W X H X D (MM) 500 X 47 X 141
FINISHES	P00 - CHROME P01 - MATT BLACK P06 - LIGHT GUNMETAL P18 - POLISHED CHAMPAGNE P19 - BRUSHED CHAMPAGNE

TECHNICAL DRAWINGS



TECHNOLOGY - CERTIFICATION

PRODUCT TYPE	:	WALL MOUNTED
MATERIAL	:	BRASS & GLASS
STANDARD	:	CE STANDARD