

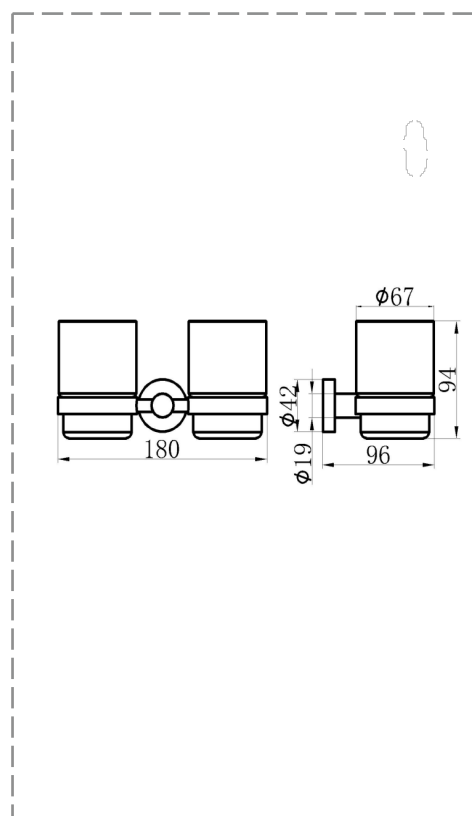
E05-AC40082



## TECHNICAL DATA

ITEM DESCRIPTION	DOUBLE TUMBLER HOLDER
ITEM CODE	E05-AC40082
DIMENSIONS	W X H X D (MM) 180 X 94 X 96
FINISHES	P00 - CHROME
	P01 - MATT BLACK
	P06 - LIGHT GUNMETAL
	P18 - POLISHED CHAMPAGNE
	P19 - BRUSHED CHAMPAGNE

## TECHNICAL DRAWINGS



## TECHNOLOGY - CERTIFICATION

PRODUCT TYPE	:	WALL MOUNTED
MATERIAL	:	BRASS
STANDARD	:	CE STANDARD