

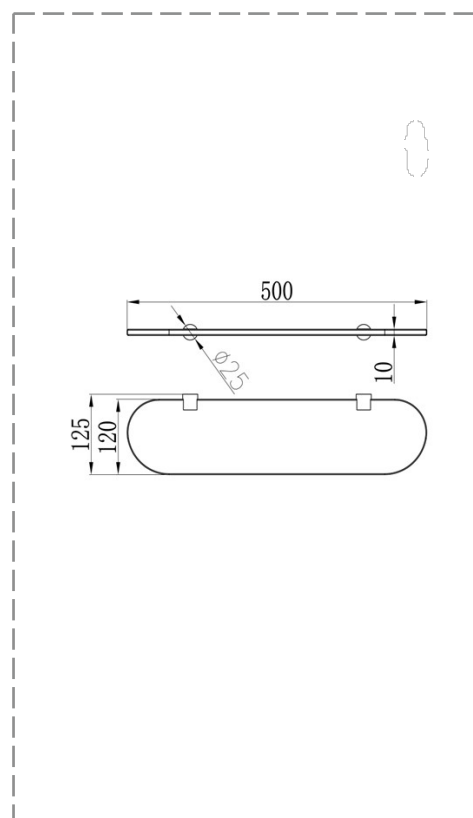
E05-AC40035



TECHNICAL DATA

ITEM DESCRIPTION	GLASS SHELF 500 MM
ITEM CODE	E05-AC40035
DIMENSIONS	W X H X D (MM) 500 X 25 X 125
FINISHES	P00 - CHROME P01 - MATT BLACK P04 - BURSHED NICKEL P06 - LIGHT GUNMETAL P08 - POLISHED ROSE GOLD P10 - BRUSHED COPPER P14 - POLISHED DARK GOLD P18 - POLISHED CHAMPAGNE P19 - BRUSHED CHAMPAGNE

TECHNICAL DRAWINGS



TECHNOLOGY - CERTIFICATION

PRODUCT TYPE	:	WALL MOUNTED
MATERIAL	:	BRASS & GLASS
STANDARD	:	CE STANDARD