



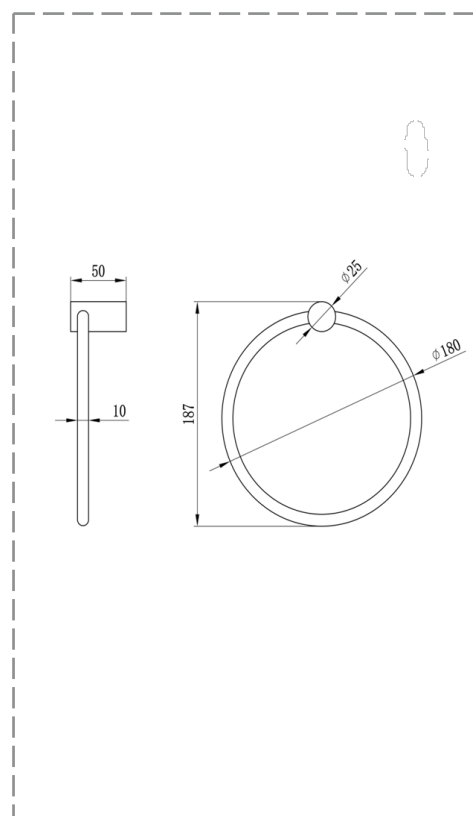
E05-AC40030



## TECHNICAL DATA

ITEM DESCRIPTION	TOWEL RING 210 MM
ITEM CODE	E05-AC40030
DIMENSIONS	W X H X D (MM) 180 X 187 X 50
FINISHES	<p>P00 - CHROME</p> <p>P01 - MATT BLACK</p> <p>P04 - BURSHED NICKEL</p> <p>P06 - LIGHT GUNMETAL</p> <p>P08 - POLISHED ROSE GOLD</p> <p>P10 - BRUSHED COPPER</p> <p>P14 - POLISHED DARK GOLD</p> <p>P18 - POLISHED CHAMPAGNE</p> <p>P19 - BRUSHED CHAMPAGNE</p>

## TECHNICAL DRAWINGS



## TECHNOLOGY - CERTIFICATION

PRODUCT TYPE	:	WALL MOUNTED
MATERIAL	:	BRASS
STANDARD	:	CE STANDARD