

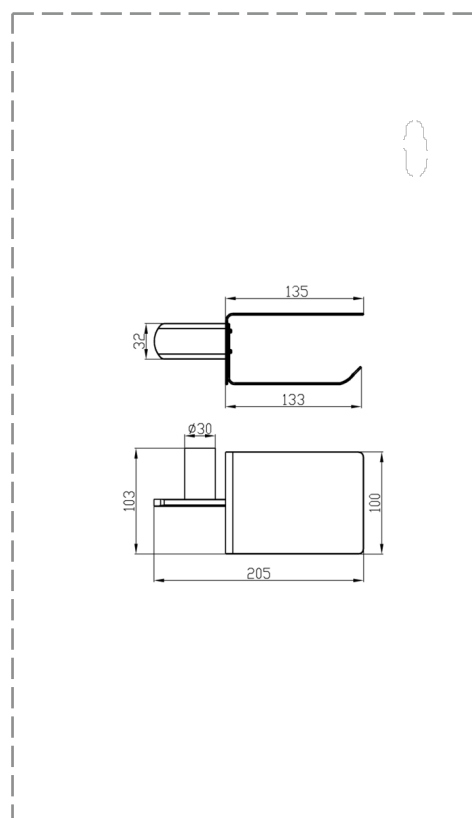
E05-AC40020



TECHNICAL DATA

| | |
|------------------|-----------------------------------|
| ITEM DESCRIPTION | TOILET PAPER HOLDER WITH COVER |
| ITEM CODE | E05-AC40020 |
| DIMENSIONS | W X H X D (MM) 205 X 103 X 135 |
| FINISHES | P00 - CHROME |
| | P01 - MATT BLACK |
| | P06 - LIGHT GUNMETAL |
| | P18 - POLISHED CHAMPAGNE |
| | P19 - BRUSHED CHAMPAGNE |

TECHNICAL DRAWINGS



TECHNOLOGY - CERTIFICATION

| | | |
|--------------|---|--------------|
| PRODUCT TYPE | : | WALL MOUNTED |
| MATERIAL | : | BRASS |
| STANDARD | : | CE STANDARD |