

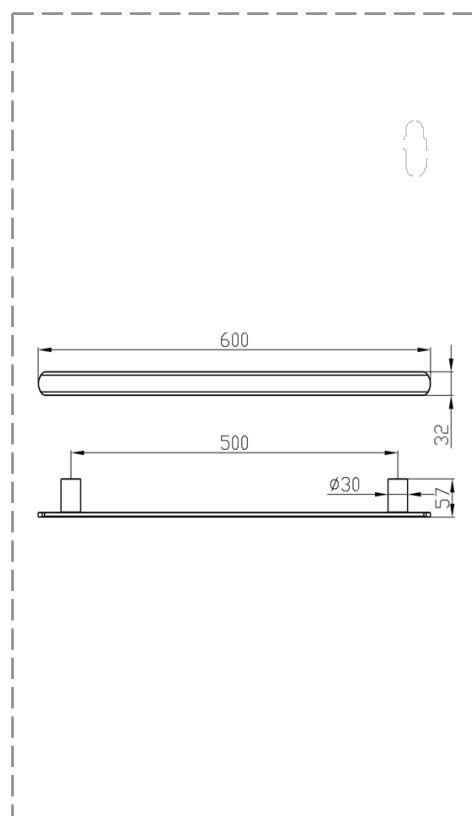
E05-AC40018



TECHNICAL DATA

ITEM DESCRIPTION	SINGLE TOWEL BAR 600 MM
ITEM CODE	E05-AC40018
DIMENSIONS	W X H (MM) 600 X 32
FINISHES	P00 - CHROME
	P01 - MATT BLACK
	P06 - LIGHT GUNMETAL
	P18 - POLISHED CHAMPAGNE
	P19 - BRUSHED CHAMPAGNE

TECHNICAL DRAWINGS



TECHNOLOGY - CERTIFICATION

PRODUCT TYPE	:	WALL MOUNTED
MATERIAL	:	BRASS
STANDARD	:	CE STANDARD